

### Electric Ball Valve

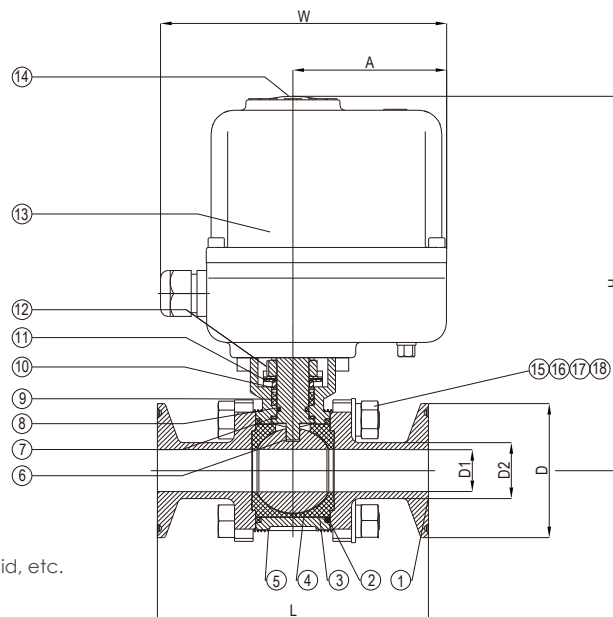
PN16/232PSI

Three-Piece, Clamp Connection  
 AC220V/110V, DC24V, IP67 Protection Rating  
 Equipped with a Manual Switch, Power Failure and  
 Signal Loss Retention Function  
 Dimensions to ISO2852, DIN32676  
 Temperature Range -20°C~120°C/-4°F~248°F



**BL7126-C-ES100**

Materials		
No.	Part	Specification
1	Bonnet	ANSI 304/316L
2	Spacer Ring	PTFE
3	Seat	PTFE
4	Ball	ANSI 304/316L
5	Body	ANSI 304/316L
6	Stem	ANSI 304/316
7	Stem Washer	PTFE
8	O-Ring	EPDM
9	Packing	PTFE
10	Packing Bushing	ANSI 304
11	Spring	ANSI 304
12	Hexagonal Nut	ANSI 304
13	Actuator Housing	Aluminum Alloy
14	Position Indicator	PP
15	Hexagon Bolt	ANSI 304
16	Gasket	ANSI 304
17	Elastic Gasket	ANSI 304
18	Hexagonal Nut	ANSI 304



- \* Body material available in 304 or 316 stainless steel.
- Applicable media: Water, ethylene glycol, propylene glycol, fluorinated fluid, etc.
- ES100( ½" - 3" )/ES300( 4" ). -H On-off type, -R Regulating type.
- \* Detailed technical parameters of ball valves and actuators see page end.

Dimensions (ISO/DIN)										
Size/In	L ISO/DIN	W	A	D ISO/DIN	D1 ISO/DIN	D2	H H1(On off)/H2(Modulating)	ISO5211	Kv	Torque N.m
½	90/102	149	80	34	9.7/16	12.7	173/193	F03/F04	21	8
¾	102	149	80	34/50.5	16.1/20	19.1	180/200	F03/F04	38	8
1	115	149	80	50.5	22.4/25	25.4	190/210	F04/F05	72	18
1¼	125	149	80	50.5	28.8/32	31.8	198/218	F04/F05	112	18
1½	138	149	80	50.5	35.1/38	38.1	210/230	F05/F07	170	25
2	156	149	80	64	47.8/49	50.8	217/237	F05/F07	273	30
2½	170/180	149	80	77.5/91	59.5/66	63.5	232/252	F07/F10	384	40
3	197/220	149	80	91/106	72.1/81	76.2	248/268	F07/F10	512	50
4	242	149	80	119	97.6/100	101.6	265/285	F07/F10	940	80

◆Please consult the factory for 3A and other standard sizes such as ASME BPE, BS4825, etc.