

### Ductile Iron Y Strainer

PN25/350PSI/Class250

Stainless Steel Screen, Drain Outlet

Flange Dimension EN1092-2, ANSI B16.1 Class 125



**YR-975**

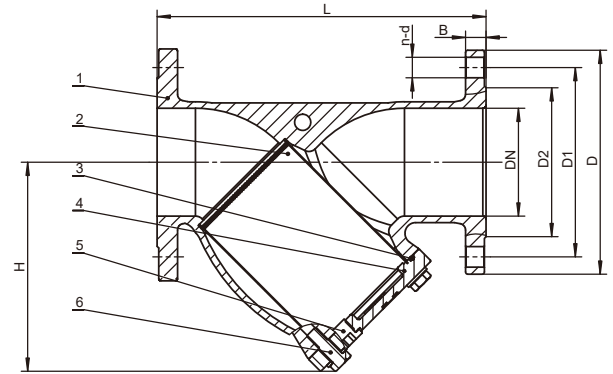
2" - 16"

Hydraulic Pressure Test	
Body	3.75Mpa/37.5Bar

Pressure Ratings	
1.0 Mpa at 180°C	
1.6 Mpa at -10°C-120°C	

#### Materials List

No	Part	Specification	BS EN	ASTM
1	Body	Cast Iron	BSEN 1563	A536 65-45-12
2	Screen	Stainless Steel	BSEN 10088-1	AISI 304
3	Bonnet	Cast Iron	BSEN 1563	A536 65-45-12
4	Gasket	Graphite	--	--
5	Drain Plug	Stainless Steel	BSEN 10088-1	AISI 304
6	Bolt	Stainless Steel	BSEN 10088-1	AISI 304



#### Dimensions-Weights

mm	50	65	80	100	125	150	200	250	300	350	400	450	500	600	
In	2	2½	3	4	5	6	8	10	12	14	16	18	20	24	
L	216	241	283	305	381	403	495	622	698	787	914	1200	1250	1450	
H	128	145	160	210	228	260	324	416	460	540	598	795	862	985	
D	165	185	200	235	270	300	360	425	485	555	620	670	730	845	
D1	125	145	160	190	220	250	310	370	430	490	550	600	660	770	
D2	99	118	132	165	184	211	274	330	389	448	503	548	609	720	
B	19	19	19	19	19	20	22	24.5	27.5	30	32	34.5	36.5	42	
n-d	4-19	8-19	8-19	8-23	8-28	8-28	12-28	12-31	16-31	16-34	16-37	20-37	20-37	20-41	
Weight	Lbs	21	271	34	57	71	101	154	269	379	739	1056	1151	--	--
	Kg	9	12	15	26	32	46	70	122	172	335	479	522	--	--